



MODEL 120E

ELECTRIC POWERED DIAPHRAGM PUMP

2" - 40 GPM



120ELB-40-200



120EWA-40-200

***NOTE: PUMP IS SHOWN WITH OPTIONAL MOTOR GUARD**

All models are available in heavy duty bronze or lightweight aluminum.

- SAFE TO RUN WHEN DRY
- VOLUMES TO 38 GPM
- POWERFUL VACUUM LIFTS
- DRY START LIFT TO 12'
- PUMP UP TO 50% SOLIDS
- LOW EMULSIVE & SHEER ACTION
- NON-CLOGGING FLOW-THRU DESIGN
- EASY TO SET-UP, USE, CLEAN, AND MAINTAIN
- PERMANENT AND PORTABLE APPLICATIONS
- BUILT TOUGH FOR YEARS OF SERVICE
- LONG LIFE, REINFORCED PUMP DIAPHRAGMS
- ALL MATERIALS SPECIFIED FOR THE MARINE ENVIRONMENT

Performance:

Static Suction Lift	15 ft./4.57m
Dry Suction Lift	12 ft./3.65m
Discharge Head	15 ft./4.57m
Coninouue Duty Discharge Head	15 ft./4.57m
Max Volume	40 GPM/152 LPM*

*at 60 cycles per minute

Construction:

Pump Base	Choice of:
(Wetted Parts)	Anodized Aluminum (Standard)
	Marine Bronze (Standard)
	Urethane Powder Coating (Optional)
	PTFE Coating (Optional)
Diaphragms & Valves	Choice of:
	Nitrile (Standard)
	Viton® (Optional)
	Hypalon® (Optional)
Mounting Frame	Powder Coated Aluminum
Hardware Material	Stainless Steel

Drives:

Electric Powered	3/4hp/115/230V/1ph/tefc Motor (Standard)
------------------------	--

Optional 3/4 hp ac motors are available in most all voltages, 1 phase or 3 phase, 60hz or 50hz, tefc and explosion proof. Also available are dc motors.

APPLICATIONS

Edson Electric Powered Diaphragm Pumps are the most popular of all Edson Pumps due to their size, capacity, versatility and the economy of electric drives. They are used for the collection and transfer of waste liquids and pumping liquids with suspended solids. They are capable of handling liquids with large suspended solids without clogging, to prime from dry starts, and to run dry. They have the added feature of low emulsive, non-sheering pumping action. These basic performance features & Edson's 14 year history of manufacturing quality products have made our pumps the choice for cleaning up our environment and controlling the disposal of liquid waste. These pumps can be applied to a very broad range of applications including the requirements for ground water remediation, containment transfers, dewatering, oil & water separations, marina & campground sewage collection, tank, sump and drum transfers, filtration applications, and the collection & transfer of abrasives & slurries.

INDUSTRIAL

- Sump Pump-Outs
- Slurry Transfer
- Abrasive Pumping
- Filtration Pumping
- Drum Transfer
- Groundwater Containment
- Spill Cleanup
- Drain Dewatering

MARINE

- Pump-Out Stations
- On-Board Waste
- Bilge Pumps
- Light Dredging
- Emergency Dewatering
- Boatyard Utility Pump
- Oil Spill Cleanup

ENVIRONMENTAL

- Groundwater Remediation
- Tank Pump-Outs
- Grease & Oil Collections
- Skimming Pumping
- Asbestos Clean-Ups
- Oil-Water Separation
- Oil Spill Clean-Up

MUNICIPAL & UTILITY

- Sewage Collection & Transfer
- Waste Water Skimming
- Drain Clean-Out
- Utility Trunk Pump
- Fly Ash Clean-Ups
- Containment Transfer
- Meter Pit Dewatering



GENERAL DESCRIPTION

Order Nos. 120ELA-40-200 and 120ELB-40-200 are the Edson 3/4 HP electric powered, skid mounted, nominal 40 gallon per minute, 2" NPT, diaphragm pumps. The 120ELA is built with the wetted parts made of anodized aluminum and the 120ELB wetted parts are marine bronze. **Order Nos. 120EWA-40-200 and 120EWB-40-200** are the cart mounted version with wheels and handle for portability. The standard models are supplied with a 55 rpm, single phase, 115/230 volt, 60 hz., tefc gear motor as standard drive. With this drive these pumps will operate at 56 cycles per minute and perform as detailed in the performance chart below.

The pumps can be ordered with optional motors and optional gear reducers that allow them to operate at variable speeds, or at 5 optional fixed speeds. The performance charts below detail the pumps performance at these optional fixed speeds and provide a representation of performance for the pump equipped with a variable speed motor.

The pumps can also be ordered with additional options that include three phase 208-230/440 volt motors, 12 or 24 volt dc motors and explosion proof motors. For pumping materials that require rubber with different chemical resistant properties Edson offers optional diaphragms and valves made of Viton®.

Call Edson Customer Service for more details.

VOLUME PERFORMANCE CHARTS

56 Cycles Per Min.	DISCHARGE HEIGHT			40 Cycles Per Min.	DISCHARGE HEIGHT			36 Cycles Per Min.	DISCHARGE HEIGHT					
	0	5 ft 1.5 m	10 ft 3 m		0	5 ft 1.5 m	10 ft 3 m		0	5 ft 1.5 m	10 ft 3 m			
SUC- TION H- EIGHT	1 ft .3 m	38/144	32/121	24/91	SUC- TION H- EIGHT	1 ft .3 m	27/102	23/87	17/64	SUC- TION H- EIGHT	1 ft .3 m	24/92	21/78	15/58
	5 ft 1.5 m	30/114	30/114	23/87		5 ft 1.5 m	21/81	21/81	16/62		5 ft 1.5 m	19/73	19/73	15/56
	10 ft 3 m	28/106	26/98	16/61		10 ft 3 m	20/76	19/70	11/43		10 ft 3 m	18/68	17/63	10/39
	12 ft 3.7 m	28/106	26/98	14/53		12 ft 3.7 m	20/78	19/70	10/38		12 ft 3.7 m	18/68	17/63	8/30
gpm / lpm														
30 Cycles Per Min.	DISCHARGE HEIGHT			20 Cycles Per Min.	DISCHARGE HEIGHT			13 Cycles Per Min.	DISCHARGE HEIGHT					
	0	5 ft 1.5 m	10 ft 3 m		0	5 ft 1.5 m	10 ft 3 m		0	5 ft 1.5 m	10 ft 3 m			
SUC- TION H- EIGHT	1 ft .3 m	20/77	19/72	17/64	SUC- TION H- EIGHT	1 ft .3 m	14/52	11/42	9/34	SUC- TION H- EIGHT	1 ft .3 m	9/34	7/26	5/20
	5 ft 1.5 m	17.5/66	17/64	16/61		5 ft 1.5 m	11/42	11/42	8/31		5 ft 1.5 m	7/26	7/26	5/20
	10 ft 3 m	17/64	16/61	15/57		10 ft 3 m	10/38	9/34	6/22		10 ft 3 m	7/26	6/23	4/14
	12 ft 3.7 m	13/49	12/47	10/38		12 ft 3.7 m	10/38	9/34	5/19		12 ft 3.7 m	7/26	6/23	3/12
gpm / lpm														

ORDERING INFORMATION

DESCRIPTION	MATERIAL	WEIGHT LBS / KGS	ORDER NO.
Skid Mount	Aluminum	100/45.4	120ELA-40-200
Cart Mount	Aluminum	103/46.7	120EWA-40-200
Skid Mount	Bronze	125/56.7	120ELB-40-200
Cart Mount	Bronze	127/57.6	120EWB-40-200

OPTIONS

DESCRIPTION	ORDER NO.
Viton® Diaphragms & Valves	230-1130V
Hypalon® Diaphragms & Vales	230-1130H
Polyurethane Coating	230-PC
Halar	230-HALAR
Motor Guard	230-A-1299

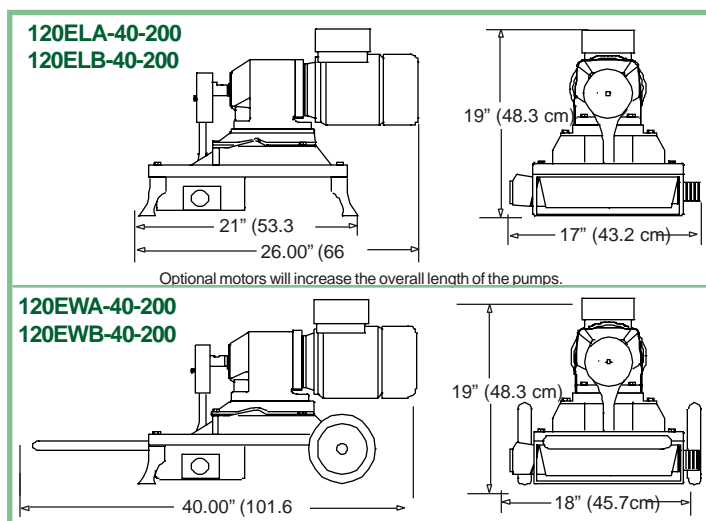
Edson offers many motor options

Edson also offers 3 optional "C-Face" gear reducers.

A combination of a motor and a gear reducer will provide one of the six cycle rate shown in the above performance charts.

Inverters and inverter grade motors are available for variable speed requirements.

DIMENSIONS



Viton® and Hypalon® are a registered trademark of DuPont Dow Elastomers L.L.C.

