



146 Duchaine Blvd.
New Bedford, MA 02745
Tel. 508/995-9711, Fax # 508/995-5021
e-Mail: pumps@edsonintl.com

28212 Pumpout Cart 115 Gallon

Design Features

- Marine Grade Aluminum
- Powder Coated
- Tubing Construction
- 1- 7/8" Ball Hitch Receiver
- Integrated Handle/Towbar
- Parking Brake
- Aluminum Hose Rack
- 115 Gallon Roto-Molded PE Tank
- 20' Discharge Hose



28212 Pumpout Cart
(Shown with 25261 pump option installed)

General Description

The 28212 (115 gal) pump out cart is an ideal way to provide pump out service throughout the marina without installing plumbing. Boat yards frequently need to pump out a boat either when in dry dock or when pulling the boat for the season. The portable design can be integrated into a plumbing infrastructure to provide a fixed station though out the marina and become portable as needed.

The versatile cart is designed to accept our diaphragm pump options, or the powerful peristaltic options shown below.

Model 25261
Double Diaphragm



- 3/4hp 120V 1ph *
- 25' Suction Lift
- 25' Discharge Head
- Up to 25 GPM
- Poly Construction

Model 286EP-.75hp
Compact Peristaltic



- 3/4hp 120V 1ph *
- 27' Suction Lift
- 60' Discharge Head
- Up to 15 GPM
- Marine Grade Aluminum

Model 286EP-1hp
STD Peristaltic

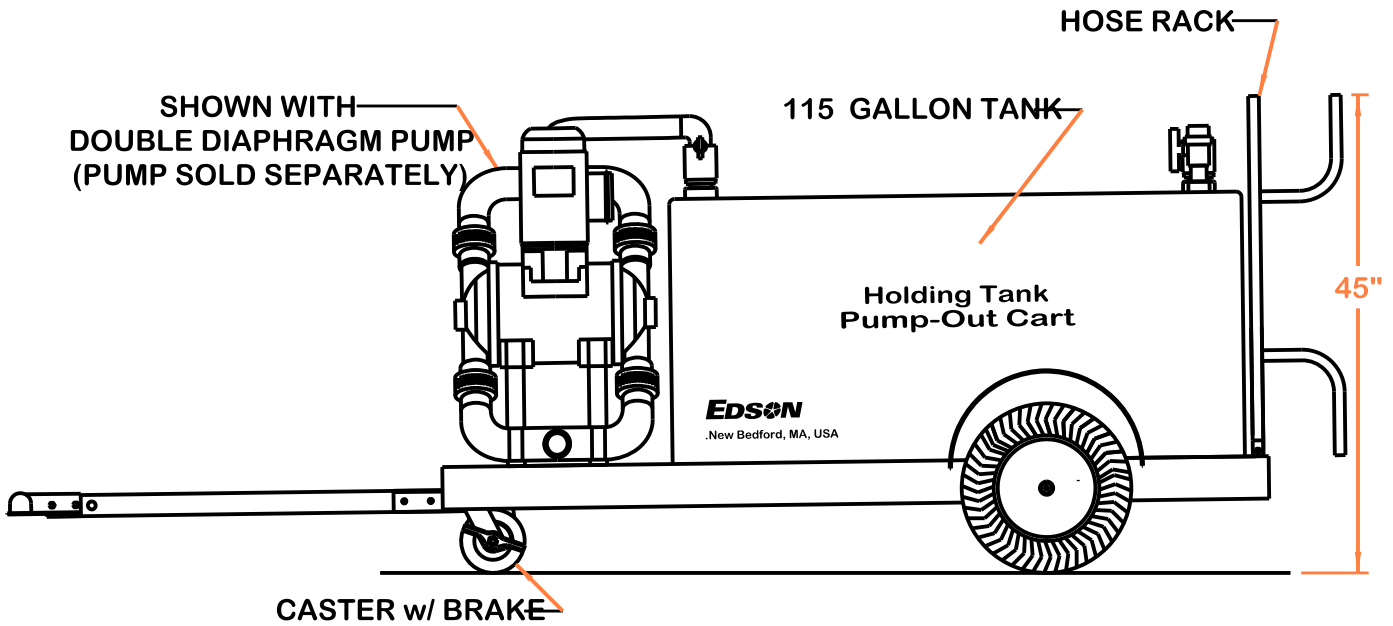
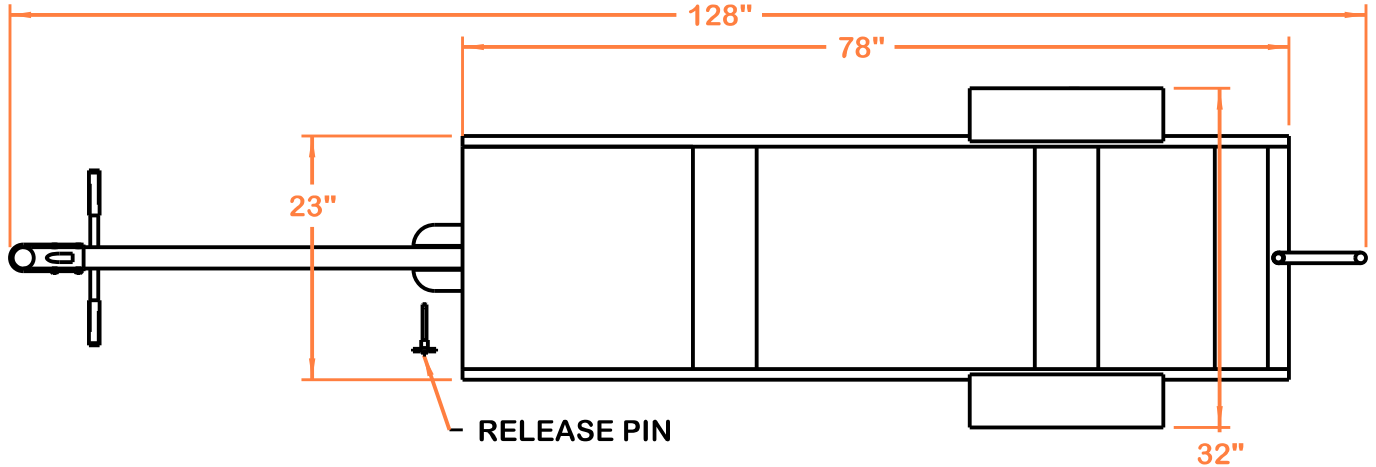


- 1hp 120V 1ph *
- 27' Suction Lift
- 65' Discharge Head
- Up to 21 GPM
- Marine Grade Aluminum

***Honda gasoline engines also available.**



EDSON Corporation
146 Duchaine Boulevard
New Bedford, MA 02745-1292
(508) 995-9711 Fax: (508) 995-5021



PUMPOUT CART WITH 115 GALLON TANK

28212

www.EdsonPumps.com